



2024
CATALOG

INTRODUCING

RAZOR VX™

THE MOST ADVANCED LINE OF CARRY KNIVES



VX

Razor VX™ combines patented RazorSafe® Blade and Blade Holder technology with premium handle materials, stainless steel liners, and fast-opening pivot systems. Push button blade changing means you never have to sharpen your knife again. VX redefines modern pocket knives – it's **ADVANCED CARRY**.

UNIVERSAL FEATURES

Ambidextrous operation with reversible pocket clip for left or right carry

Stainless steel pocket clip

Robust liner lock

420J2 stainless steel blades and blade holder



PATENTED
PUSH BUTTON
BLADE CHANGES



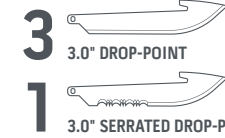
VX5

Model # VX530A-C (Left)

Features lightweight Forged Carbon Fiber and G10 scales, sturdy steel vented liner construction, and cutting-edge Ceramic Ball Bearing Pivot (CBP) technology for effortless one-finger blade deployment. Compatible with 300 and 301 RazorSafe® blades. Reversible standard carry pocket clip.

SPECS

BLADE LENGTH: 3.0 in / 7.6 cm
OVERALL LENGTH: 7.3 in / 18.5 cm
WEIGHT: 3.5 oz / 99.2 g



VX4

Model # VX430A-C (Right)

Features lightweight 3K Carbon Fiber and G10 scales, robust steel vented liner construction, and industry-leading corrosion-proof Ceramic Ball Bearing Pivot (CBP) technology, ensuring effortless one-finger blade deployment. Compatible with 300 and 301 RazorSafe blades. Reversible standard carry pocket clip.

SPECS

BLADE LENGTH: 3.0 in / 7.6 cm
OVERALL LENGTH: 7.5 in / 19 cm
WEIGHT: 3.5 oz / 99.2 g



NEW/ RAZOR VX™



NAVIGATION

- RAZOR VX 1-4
- RAZORSAFE SYSTEM 5-6
- RAZOR CARRY & WORK 7-10
- RAZOR HUNTING & PRO SERIES 11-16
- OUR STORY 17
- PROCESSING & HUNTING 18-24
- WILD SERIES 25-28
- CARRY & UTILITY 29-32
- OUTDOORS & FISHING 33-36
- ACCESSORIES 37
- MERCHANDISING 38-42



VX3

Model # VX330A-C (Left)

Features durable G10 scales, all steel vented liner construction, and industry leading premium Stainless Steel Ball Bearing Pivot (SBP) technology providing rapid and smooth blade deployment. Compatible with 300, and 301 RazorSafe® blades. Reversible deep carry pocket clip.

SPECS

BLADE LENGTH: 3.0 in / 7.6 cm
 OVERALL LENGTH: 7.4 in / 18.8 cm
 WEIGHT: 3.5 oz / 99.2 g

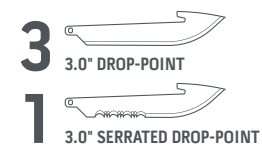


Model # VX330B-C (Right)

Features durable micarta scales, all steel vented liner construction, and industry leading premium Stainless Steel Ball Bearing Pivot (SBP) technology providing rapid and smooth blade deployment. Compatible with 300, and 301 RazorSafe® blades. Reversible deep carry pocket clip.

SPECS

BLADE LENGTH: 3.0 in / 7.6 cm
 OVERALL LENGTH: 7.4 in / 18.8 cm
 WEIGHT: 3.2 oz / 90.7 g



VX2

Model # VX230B-C

Features durable G10 scales, all steel vented liner construction, and industry leading Spring-Assisted Pivot (SAP) technology providing rapid and smooth blade deployment. Compatible with 300, and 301 RazorSafe® blades. Reversible deep carry pocket clip.

SPECS

BLADE LENGTH: 3.0 in / 7.6 cm
 OVERALL LENGTH: 7.4 in / 18.8 cm
 WEIGHT: 3.5 oz / 99.2 g



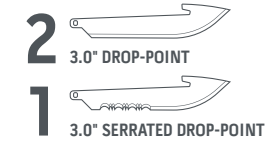
VX1

Model # VX130A-C

Features anodized aluminum side plates, all steel vented liner construction, and industry leading Spring-Assisted Pivot (SAP) technology providing rapid and smooth blade deployment. Compatible with 300, and 301 RazorSafe® blades. Reversible deep carry pocket clip.

SPECS

BLADE LENGTH: 3.0 in / 7.6 cm
 OVERALL LENGTH: 7.2 in / 18.3 cm
 WEIGHT: 3.7 oz / 104.9 g



Model # VX130B-C

Features anodized aluminum side plates, all steel vented liner construction, and industry leading Spring-Assisted Pivot (SAP) technology providing rapid and smooth blade deployment. Compatible with 300, and 301 RazorSafe® blades. Reversible deep carry pocket clip.

SPECS

BLADE LENGTH: 3.0 in / 7.6 cm
 OVERALL LENGTH: 7.2 in / 18.3 cm
 WEIGHT: 3.7 oz / 104.9 g



Our patented RazorSafe® System has grown and become a simplified blade compatibility system to easily ensure you are purchasing the correct blade sizes for your knives. Quickly match the color on package or corresponding number on the blade to the blade holder for guaranteed compatibility, fast and easy.

220



2.2" DROP-POINT
6 Pcs. MODEL# RR22-6C



2.2" BLK-OXIDE DROP-POINT
6 Pcs. MODEL# RR22K-6C

250



2.5" BLK-OXIDE DROP-POINT
6 Pcs. MODEL# RR25K-6C



2.5" 50% SERRATED BLK-OXIDE DROP-POINT
6 Pcs. MODEL# RRS25K-6C



2.5" UTILITY
6 Pcs. MODEL# RRU25-6C



2.5" 50% SERRATED UTILITY
6 Pcs. MODEL# RRUS25-6C

300



3.0" DROP-POINT
6 Pcs. MODEL# RR30-6C



3.0" BLK-OXIDE DROP-POINT
6 Pcs. MODEL# RR30K-6C



3.0" 50% SERRATED DROP-POINT
6 Pcs. MODEL# RRS30-6C



NEW / 3.0" 50% SERRATED BLK-OXIDE DROP-POINT
6 Pcs. MODEL# RRS30K-6C



3.0" GUTTING
4 Pcs. MODEL# RRG30-4C



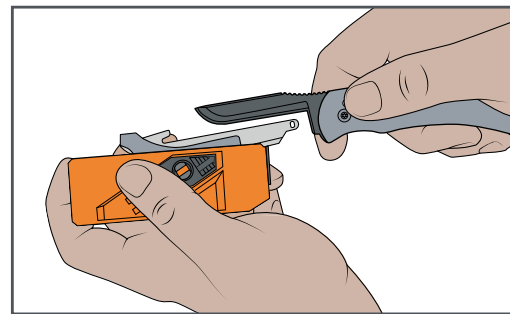
3.0" CAPING
6 Pcs. MODEL# RRP30-6C



3.0" COMBO SET
3 DROP-POINT, 2 CAPING, 1 GUTTING, BLADE BOX
6 Pcs. MODEL# RRC30-6C



NEW / 3.0" DROP-POINT BLADE DISPENSER
12 Pcs. MODEL# RR30D-12C



Innovative blade dispenser allows for safe touch free blade change and disposal of used blades. Now available in both drop point and **301** utility blade profile.

301



3.0" UTILITY
6 Pcs. MODEL# RRU30-6
24 Pcs. MODEL# RRU30-24C



3.0" BLK-OXIDE UTILITY
6 Pcs. MODEL# RRU30K-6C



3.0" 50% SERRATED UTILITY
6 Pcs. MODEL# RRUS30-6C



NEW / 3.0" 50% SERRATED BLK-OXIDE UTILITY
6 Pcs. MODEL# RRUS30K-6C



NEW / 3.0" UTILITY BLADE DISPENSER
12 Pcs. MODEL# RR30UD-12C



350



3.5" DROP-POINT
6 Pcs. MODEL# RR-6
24 Pcs. MODEL# RR35-24C



3.5" GUTTING
4 Pcs. MODEL# RRG-4C

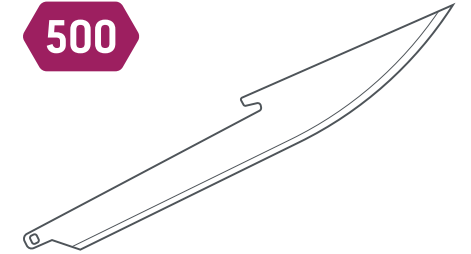
350

500



3.5"/5.0" COMBO SET
3 DROP-POINT, 2 BONING, 1 GUTTING, BLADE BOX
6 Pcs. MODEL# RRC-6C

500



5.0" BONING/FILLET & BLADE BOX
6 Pcs. MODEL# RR50-6C

MATCH THE NUMBERS

On packaging, on knives, and on blades. Finding the right blade has never been simpler.



RAZOR

CARRY & WORK



RAZOR CARRY

RAZOREDC LITE™



RazorSafe® System performance combined with everyday convenience. Features a durable Grivory® frame handle with rubberized TPR insets, dual thumb studs, and stainless steel pocket clip. Available in 2.5", 3.0", and 3.5" blade lengths. Accepting [250](#), [300](#), [301](#), and [350](#) blades, respectively.

2.5"

ORANGE / Model # RCB25-2C
GREEN / Model # RCG25-2C
BLACK / Model # RCK25-2C

SPECS

Blade Steel: Japanese 420J2 stainless
Blade Holder: Black-oxide coated 420J2 stainless steel
Handle: Glass-filled nylon
Blade Length: 2.5 in / 6.4 cm
Overall Length: 6.0 in / 15.2 cm

2  2.5" BLK-OXIDE DROP-POINT

3.0"

3.0" ORANGE / Model # RLB30-30C
3.0" BLUE / Model # RLU30-40C
3.0" GRAY / Model # RLY30-50C



SPECS

Blade: 3.0 or 3.5 in / 7.6 or 8.9 cm
Overall: 7.5 or 8.0 in / 19.0 or 20.3 cm
Weight: 2.0 or 2.8 oz / 57 or 80 g
Blade Steel: Japanese 420J2 stainless
Rockwell-C Hardness: 55-56
Holder: 420J2 with black-oxide coating
Handle: Grivory® with TPR insets

4  3.0" DROP-POINT

3.5" (SHOWN)

3.5" GRAY / Model # RLY-50C
3.5" BLUE / Model # RLU-40C
3.5" ORANGE / Model # RLB-30C

6  3.5" DROP-POINT

RAZORMINI™

ORANGE / Model # RMB22-2C
 GREEN / Model # RMG22-2C
 AQUA / Model # RMS22-2C

RazorSafe performance merged with practical convenience. A 2.2" blade size for a perfect keychain knife or pocket folder. Featuring the newly designed flush mount blade release button. Compatible with 220 RazorSafe blades.

2  2.2" DROP-POINT (RMS22-2C Only)

2  2.2" BLK-OXIDE DROP-POINT



SPECS

Blade Steel: Japanese 420J2 stainless
 Blade Holder: 420J2 or black-oxide coated 420J2 stainless steel
 Handle: ABS polymer
 Blade Length: 2.2 in / 5.6 cm
 Overall Length: 5.1 in / 13 cm

RAZORONYX™

Durable one-piece Grivory® polymer handle and nonslip texture make this a great utilitarian RazorSafe knife. Features dual thumb studs and stainless steel pocket clip. Available in both 3.0" and 3.5" blade lengths. Accepting 300, 301, and 350 blades, respectively.



SPECS

Blade: 3.0 in / 7.6 cm or 3.5 in / 8.9 cm
 Overall: 6.8 in / 17.4 cm or 8.0 in / 20.3 cm
 Weight: 1.9 oz / 55 g or 2.6 oz / 77 g
 Blade Steel: Japanese 420J2 stainless
 Rockwell-C Hardness: 55-56
 Holder: 420J2 with black-oxide coating
 Handle: Grivory®

3.0" (SHOWN)
 Model # OX-30C

3  3.0" DROP-POINT

3.5"
 Model # OX-10C

3  3.5" DROP-POINT

RAZORWORK

A significant upgrade to a standard utility blade. The perfect companion for the seasoned contractor, DIY enthusiast, and everyone in between. Featuring a lightweight single piece glass/nylon handle, dual one-hand opening thumb stud, and stainless steel pocket clip. Available in 2.5" and 3.0" blade lengths. Accepting 250, 300, and 301 blades, respectively.

2.5"

BLACK / Model # RWK25-2C

2  2.5" UTILITY

3.0"

ORANGE / Model # RWB30-70C
 GRAY / Model # RW30-60C

1  3.0" DROP-POINT

2  3.0" UTILITY

SPECS

Blade Steel: Japanese 420J2 stainless
 Blade Holder: 420J2 stainless with black oxide coating
 Handle: Grivory®
 Blade Length: 3.0 in / 7.6 cm
 Overall Length: 7.1 in / 18.0 cm
 Weight: 1.9 oz / 54 g

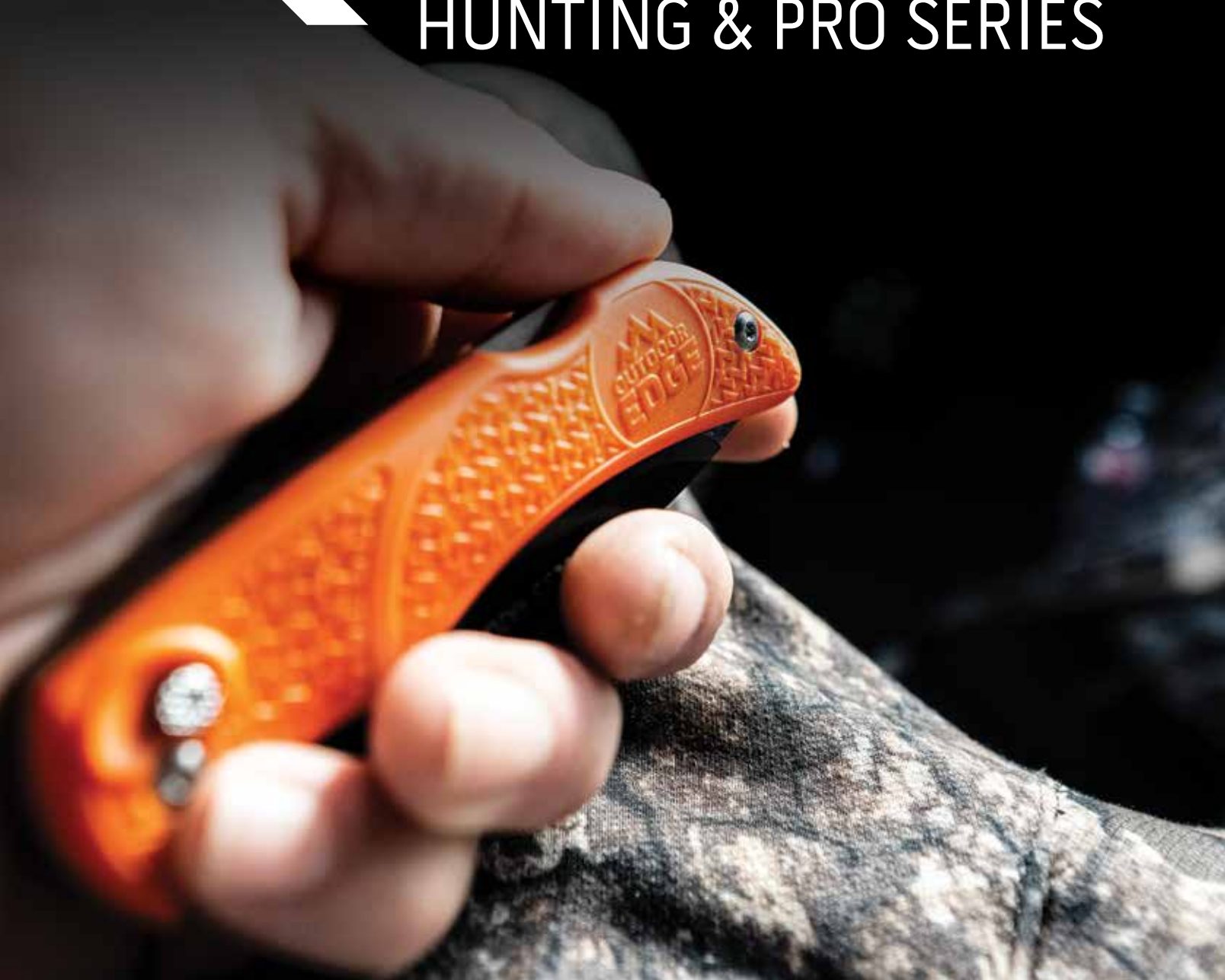
SPECS

Blade Steel: Japanese 420J2 stainless
 Blade Holder: Black-oxide coated 420J2 stainless steel
 Handle: Grivory®
 Blade Length: 2.5 in / 6.4 cm
 Overall Length: 6.0 in / 15.2 cm



RAZOR





HUNTING & PRO SERIES



RAZORGUIDE PAK™

Model # RGP-1

Stay organized in the field with this compact hunting kit. Change between blade sizes and profiles at the push of a button. The RazorGuide Pak features the RazorBone™, (compatible with 350 and 500 RazorSafe® blades), the RazorCape™ (compatible with all 300 and 301 RazorSafe blades), and the Flip N' Zip™ aluminum handled folding saw. All tools and spare blades store and transport in the compact waxed canvas roll pack.

- 2  3.0" CAPING
- 2  3.5" DROP-POINT
- 2  3.5" GUTTING
- 1  5.0" BONING/FILLET

SPECS

RazorBone Overall with Boning/Fillet Blade: 10.8 in / 27.5 cm
 RazorBone Weight: 3.1 oz / 87.9 g
 RazorCape Overall: 7.1 in / 18.0 cm
 RazorCape Weight: 2.0 oz / 57 g
 Knife Handles: Grivory® with TPR inserts and stainless steel pocket clip
 Saw Overall: 9.4 in / 23.8 cm
 Saw Blade: 4.4 in / 11.2 cm
 Saw Handle: 6061-T6 Aluminum
 Saw Steel: Chrome coated 65Mn
 Saw Weight: 2.5 oz / 70 g
 Nylon Roll Pack Dimensions: 6.5 x 2.5 x 2.5 in / 16.5 x 6.4 x 6.4 cm



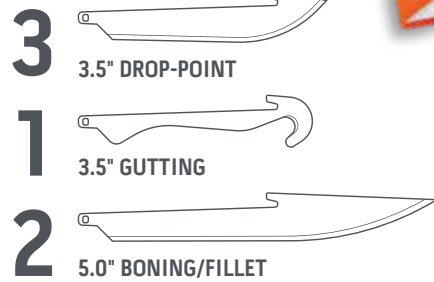
RAZORBONE®

GRAY WITH BLACK NYLON SHEATH / Model # RBY-10C
ORANGE WITH KRYPTEK NYLON SHEATH / Model # RBB-20C

Big blade performance with folding knife convenience in a compact, lightweight multi-blade knife set with safe and secure blade changes. Three different blade styles work in unison to field dress, skin, debone, and process your game, all with one knife that never needs sharpening. The RazorBone features a stainless steel pocket clip and nylon belt sheath. Compatible with all 350 and 500 RazorSafe® blades.

SPECS

Drop-Point Blade (3 Pcs.): 3.5 in / 8.9 cm
Boning/Fillet Blade (2 Pcs.): 5.0 in / 12.7 cm
Gutting Blade (1 Pcs.): 3.4 in / 8.6 cm
Overall Drop-Point Blade: 9.4 in / 24.0 cm
Overall Boning/Fillet Blade: 10.8 in / 27.5 cm
Overall Gut-Hook Blade: 9.25 in / 23.5 cm
Knife Weight: 3.1 oz / 87.9 g
Weight with Sheath: 6.4 oz / 181.4 g
Knife Blade Steel: Japanese 420J2 stainless
Rockwell-C Hardness: 55-56
Holder: 420J2 with black-oxide coating
Knife Handle: Grivory® with TPR inserts and stainless steel pocket clip



BLADE STORAGE BOX

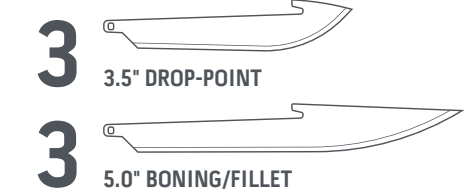
KRYPTEK HIGHLANDER®



RAZORMAX®

BLACK WITH BLACK NYLON SHEATH / Model # RMK-10C
ORANGE WITH KRYPTEK NYLON SHEATH / Model # RMB-20C

Fixed blade platform with replaceable 3.5" and 5.0" blades. This multi-blade knife system allows you to switch between blades quickly and safely with the push of a button. The RazorMax stores and carries in a polymer/nylon belt sheath with removable blade pouch and BladeBox. Compatible with all 350 and 500 RazorSafe blades.



BLADE STORAGE BOX

KRYPTEK HIGHLANDER®



SPECS

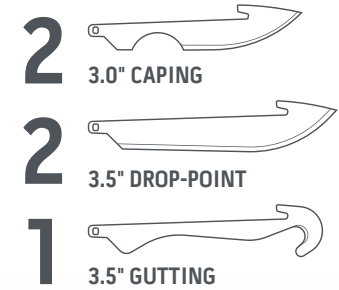
Drop-Point Blade (3 Pcs.): 3.5 in / 8.9 cm
Boning/Fillet Blade (3 Pcs.): 5.0 in / 12.7 cm
Overall Drop-Point Blade: 8.0 in / 20.3 cm
Overall Boning/Fillet Blade: 9.5 in / 24.1 cm
Knife Weight: 2.6 oz / 74 g
Weight with Sheath: 4.7 oz / 133 g
Blade Steel: Japanese 420J2 stainless
Rockwell-C Hardness: 55-56
Holder: 420J2 with black-oxide coating
Knife Handle: Rubberized TPR

RAZOR HUNTING

RAZORCAPE™

Model # RCB30-10C

Suited for the minimalist hunter by combining three blade profiles in a compact system. The caping blade featuring an oversized choil allows for surgical precision while the drop-point and gutting blade effortlessly breeze through the heavy lifting of field dressing and quartering. The knife and spare blades safely store in the sleek nylon belt sheath with divider to keep the spares organized. Compatible with 300 RazorSafe® blades.



SPECS

Overall: 7.1 in / 18.0 cm
Caping Blade (2 Pcs.): 3.0 in / 7.6 cm
Drop Point Blade (2 Pcs.): 3.0 in / 7.6 cm
Gutting Blade (1 Pcs.): 2.75 in / 7.6 cm
Knife Weight: 2.0 oz / 57 g
Knife Blade Steel: Japanese 420J2 stainless steel
Rockwell-C Hardness: 55-56
Holder: 420J2 with black-oxide coating
Knife Handle: Grivory® with TPR inserts and stainless steel pocket clip

KRYPTEK HIGHLANDER®



RAZOR PRO® SERIES

RAZORPRO L (FORMERLY RAZORLITE)

BLACK WITH BLACK NYLON SHEATH / Model # RL-10C
ORANGE WITH KRYPTEK NYLON SHEATH / Model # RB-20C

Equipped with nonslip TPR handles mounted to rock-solid stainless steel liners, the RazorPro L delivers exceptional performance. The trusted frame lock is designed to withstand a lifetime of hard use. Knife and spare blades safely store in the nylon belt sheath. Compatible with [350](#) RazorSafe® blades.

SPECS

Blade: 3.5 in / 8.9 cm
Overall: 8.0 in / 20.3 cm
Weight: 3.6 oz / 102 g
Knife Blade Steel: Japanese 420J2 stainless
Rockwell-C Hardness: 55-56
Holder: 420J2 with black-oxide coating
Handle: Rubberized TPR



6 3.5" DROP-POINT

KRYPTEK
HIGHLANDER

RAZORPRO S

ORANGE WITH KRYPTEK NYLON SHEATH / Model # RSB35-6C

This multi-use hunting knife features a 3.5" replaceable blade folding knife and a bone saw. Nonslip TPR handles provide a positive grip in all conditions. The bone saw tooth pattern is specifically designed for cutting through tough bone, making this combo a desired pair in the field. Compatible with [350](#) RazorSafe blades.

6 3.5" DROP-POINT



SPECS

Knife Blade: 3.5 in / 8.9 cm
Saw Blade: 3.4 in / 8.6 cm
Overall: 8.0 in / 20.3 cm
Knife Blade Steel: Japanese 420J2 stainless
Saw Steel: Chrome coated 65 Mn
Holder: 420J2 with black-oxide coating
Handle: Rubberized TPR with 420J2 stainless steel liners
Sheath: Nylon
Weight: 8.3 oz / 235 g



KRYPTEK
HIGHLANDER

RAZOR PRO® SERIES

RAZORPRO G AND SAW COMBO

ORANGE WITH KRYPTEK NYLON SHEATH / Model # ROC-30C

Double-blade folder with a 3.5" replaceable blade on one side and our signature gutting blade on the other. Nonslip TPR handles mounted to rock-solid stainless steel liners make the RazorPro G the perfect tool for field dressing game. Compatible with [350](#) RazorSafe® blades.

6 3.5" DROP-POINT

KRYPTEK
HIGHLANDER

RAZORPRO G

BLACK WITH BLACK NYLON SHEATH / Model # RO-10C
ORANGE WITH KRYPTEK NYLON SHEATH / Model # RO-20C

6 3.5" DROP-POINT

SPECS

Drop-Point Blade: 3.5 in / 8.9 cm
Gutting Blade: 3.1 in / 7.9 cm
Overall: 8.0 in / 20.3 cm
Weight: 8.3 oz / 235 g
Knife Blade Steel: Japanese 420J2 stainless
Gutting Blade Steel: 7Cr17 stainless
Rockwell-C Hardness: 55-56
Holder: 420J2 with black-oxide coating
Handle: Rubberized TPR

GUTTING
BLADE OPEN

KNIFE OPEN

BLACK
(NOT AVAILABLE AS
KNIFE/SAW COMBO)



OUR STORY

For over 35 years, Outdoor Edge® has been an industry leader, revolutionizing the world of knives and tools with our unwavering commitment to innovation, quality, and functionality. Our legacy spans decades of expertise, crafting top-tier products that cater to outdoor enthusiasts, hunters, adventurers, and beyond.

At the heart of our success lies the pinnacle of innovation: our patented replaceable blade knives. Recognized worldwide for their innovative solution to a long-standing issue of dull blades, these knives are engineered for convenience, durability, and unparalleled performance. With effortless blade changes, you can seamlessly tackle any task without compromising sharpness or precision, making every cut as effortless as the first.

Moreover, our commitment extends beyond crafting innovative products – it's about empowering our customers. We understand the importance of strength at retail, through our comprehensive retail merchandising strategy we ensure our products are highly visible and simple to navigate. Our visual storytelling ensures easy understanding of our RazorSafe® blade ecosystem and access to all the tools you need, whenever and wherever adventure calls.

When you choose Outdoor Edge, you're not just selecting a tool – you're embracing a legacy of excellence,

innovation, and trust. Join the countless enthusiasts and professionals who rely on Outdoor Edge for their outdoor pursuits and experience the difference our knives make in enhancing your outdoor adventures.



THE ORIGINAL
WHITETAIL SKINNER
(1988)



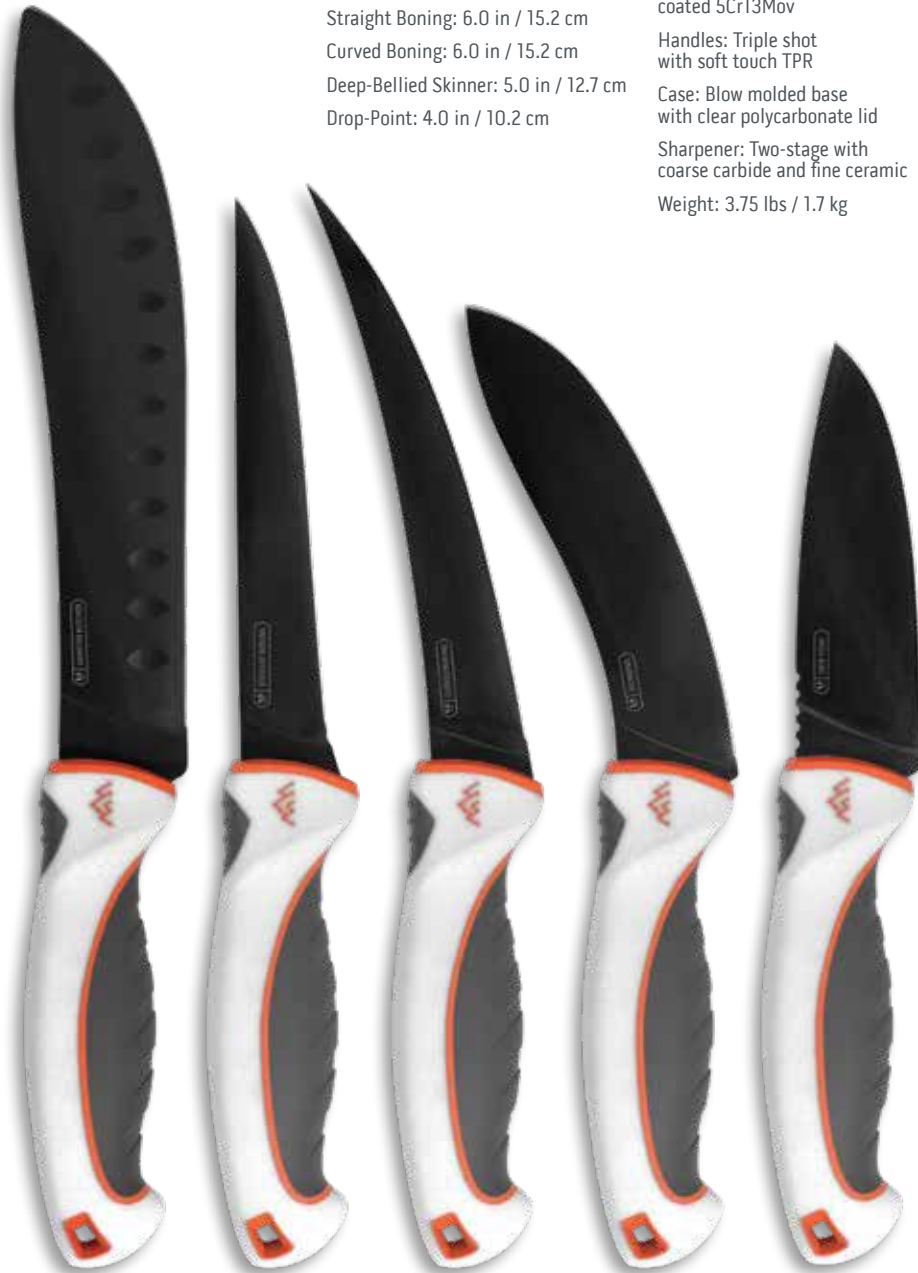
PROCESSING & HUNTING

PROCESSING

NEW/ ERGOMAX™

Model # EM-1

The ErgoMax is a 6-piece professional grade processing knife set inspired by commercial butcher knives. Engineered with precision and innovation, this set boasts ErgoMax handles, a groundbreaking design meticulously developed to alleviate fatigue during extended use. Crafted for comfort, the handles feature an ergonomically designed, grippy over-molded TPR, ensuring enhanced control and stability, even in wet conditions. The titanium-coated blades offer unparalleled durability, superior corrosion resistance, and reduced friction during cutting and slicing. These knives are balanced to guarantee an unparalleled culinary experience, elevating every processing task with ease and efficiency. The knife set comes with a two-stage sharpener to ensure a razor-sharp edge. When not in use the set stores in an innovative hybrid case featuring a clear polycarbonate lid secured to a lightweight blow molded bottom with durable hinges and locking clasps.



SPECS

Granton Butcher: 8.0 in / 20.3 cm
 Straight Boning: 6.0 in / 15.2 cm
 Curved Boning: 6.0 in / 15.2 cm
 Deep-Bellied Skinner: 5.0 in / 12.7 cm
 Drop-Point: 4.0 in / 10.2 cm

Steel: Black titanium-coated 5Cr13Mov
 Handles: Triple shot with soft touch TPR
 Case: Blow molded base with clear polycarbonate lid
 Sharpener: Two-stage with coarse carbide and fine ceramic
 Weight: 3.75 lbs / 1.7 kg

PROCESSING

STEELSTICK™

Model # SS-10C

Pivoting steel bar spreads the brisket open completely, for easier field dressing and faster cooling for higher quality venison. Includes nylon sheath.



SPECS

Closed Length: 7.0 in / 18 cm
 Open Length: 11.0 in / 28.0 cm
 Steel: 420J2 stainless
 Weight: 7.0 oz / 200 g

JAEGERPAK™

Model # JP-8C

Seven-piece processing set with a full-sized gutting blade, drop-point skinner, boning knife, wood/bone saw, ribcage spreader, 2-stage sharpener, and gloves in a hard-sided carry case.



SPECS

Boning Blade: 5.0 in / 12.7 cm
 Overall: 9.5 in / 24.1 cm
 Skinning Blade: 4.0 in / 10.2 cm
 Overall: 8.6 in / 21.8 cm
 Gutting Blade: 3.7 in / 9.3 cm
 Overall: 8.3 in / 21.1 cm
 Saw Blade: 5.0 in / 12.7 cm
 Overall: 8.0 / 20.3
 Weight: 1.8 lbs / 816 g



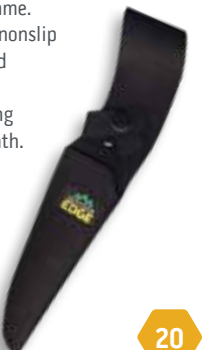
GAME SHEARS™

Model # SC-100C

Heavy-duty shears make easy work of field dressing birds and small game. Features full tang construction, nonslip rubberized TPR handles, serrated cutting edge, and special bone breaking notch perfect for cutting wing bones. Includes nylon sheath.

SPECS

Blade: 3.5 in / 8.9 cm
 Overall: 10.0 in / 25.4 cm
 Steel: 420J2 stainless
 Weight: 10.6 oz / 300 g



GAMEPRO™

Model # GP-11

The ultimate ten-piece game processing kit includes all the tools you need to process like a pro. The GamePro features a caping knife, gut-hook skinning knife, boning/fillet knife, butcher knife, game shears, wood/bone saw, ribcage spreader, two stage sharpener, game cleaning gloves and a cutting mat, all of which store safely in a hard-sided carrying case.



SPECS

GAMEPRO (Left)

Knife Steel: 420J2 Stainless

Handles: Rubberized TPR

Caping Blade: 2.6 in / 6.6 cm
Caping Overall: 8.3 in / 21.1 cm

Skinner Blade: 4.4 in / 11.2 cm
Skinner Overall: 9.0 in / 22.9 cm

Boning Blade: 5.5 in / 14.0 cm
Boning Overall: 10.2 in / 25.9 cm

Butcher Blade: 7.5 in / 19.1 cm
Butcher Overall: 12.2 in / 31.0 cm

Shears: 420J2 Stainless
with POM handle

Saw Steel: Chrome
coated 65Mn

Saw Blade: 10.0 in / 25.4 cm
Saw Overall: 14.7 in / 37.3 cm

Case: 14.0x10.2x2.2 in
/ 36x26x6 cm

Weight: 4.1 lbs / 1.9 kg

BUTCHERLITE (Right)

Caping Blade: 4.3 in / 10.8 cm
Overall: 9.1 in / 23.2 cm

Skinner Blade: 4.5 in / 11.5 cm
Overall: 9.5 in / 24.1 cm

Boning Blade: 5.9 in / 15.0 cm
Overall: 10.8 in / 27.5 cm

Saw Blade: 6.0 in / 15.2 cm
Overall: 9.3 in / 23.6 cm

Steel: 420J2 stainless

Weight: 2.3 lbs / 1.1kg

OUTFITTER (Right)

Caping Blade: 2.5 in / 6.4 cm
Overall: 8.3 in / 21.0 cm

Skinner Blade: 4.0 in / 10.2 cm
Overall: 8.5 in / 21.6 cm

Boning Blade: 5.0 in / 12.7 cm
Overall: 9.5 in / 24.1 cm

Knife Steel: 420J2 stainless

Saw Blade: 6.0 in / 15.2 cm
Overall: 9.3 in / 23.6 cm

Saw Steel: 65Mn
with chrome coating

Hatchet Blade: 4.0 in / 10.2 cm
Overall: 10.0 in / 25.1 cm

Hatchet Steel: 3Cr13

Nylon Trifold Dimensions:
11.5x6.5x2 in / 28x16.5x5 cm

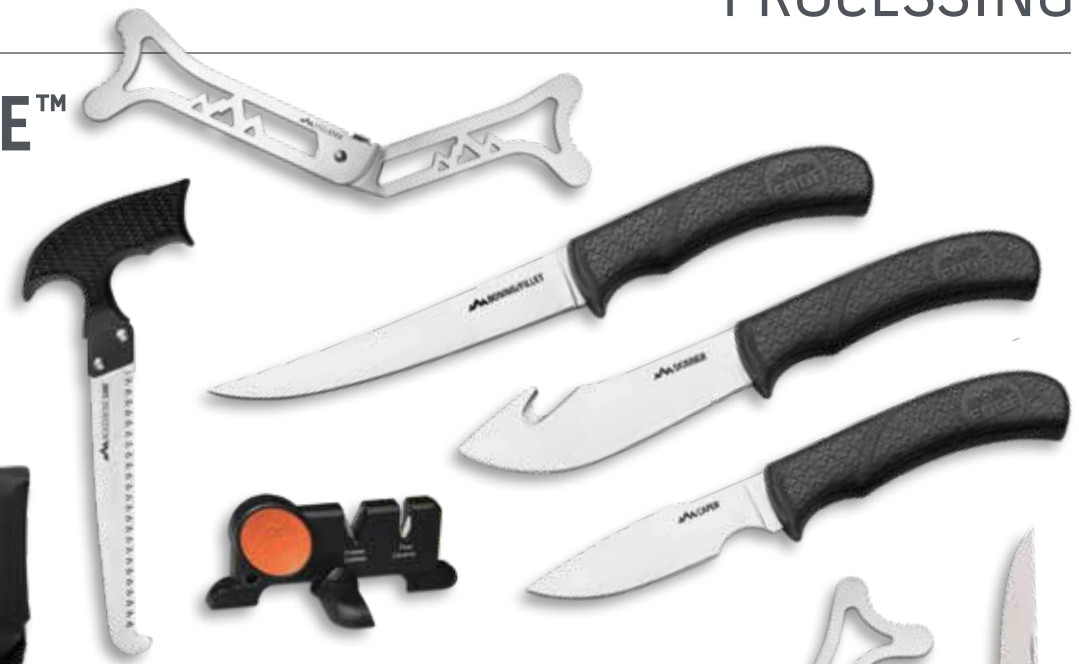
Total Weight: 3.6 lbs / 1.6kg

PROCESSING

BUTCHERLITE™

Model # BL-1

Innovative seven-piece processing kit with nylon roll pack that converts to a belt scabbard featuring removable knife sheaths for easy cleaning. Includes caping knife, gut-hook skinner, boning/fillet knife, wood/bone saw, ribcage spreader, two stage knife sharpener, and game cleaning gloves.



OUTFITTER™

Model # OF-1

Modular hunting pack built with tools of the professional outfitter in a nylon trifold organizer. Includes caping knife, gut-hook skinner, boning/fillet knife, hatchet, wood/bone saw, ribcage spreader, ceramic/carbide sharpener, and game cleaning gloves. Individual sheaths allow you to carry knives and hatchet separately.



HUNTING

FIELDBONE™

Model # FBB-2C

Flexible folding boning/fillet knife with double-molded glass/nylon handle features rubberized TPR insets for a secure, nonslip grip and stainless steel pocket clip. The 440A stainless steel blade is double-tempered for added flex and superior edge retention. Includes nylon sheath.



Also available with green/black handle Model # FB-1C

SPECS

Blade: 5.0 in / 12.7 cm
Overall: 11.3 in / 28.9 cm
Steel: 440A stainless
Handle: Glass/nylon with rubberized TPR inserts
Weight: 3.5 oz / 100 g

GRIPHOOK™

Model # GHB-50C

Versatile mid-sized drop-point folder with gut-hook and rubberized TPR handle. Includes nylon sheath.

SPECS

Blade: 3.2 in / 8.1 cm
Overall: 7.3 in / 18.5 cm
Weight: 4.0 oz / 113 g
Steel: 440A stainless

JAEGERPAIR™

Model # JR-1C

This two knife, fixed-blade set combines a classic drop-point skinner with a full-size gutting knife to open game like a zipper. Comes complete with a nylon belt sheath.

SPECS

Knife Blade: 3.9 in / 10.0 cm
Overall: 8.6 in / 21.8 cm
Gutting Blade: 3.7 in / 9.3 cm
Overall: 8.3 in / 21.1 cm
Weight: 8.5 oz / 241 g



HUNTING

SWINGBLADE®

BLACK / Model # SB-10NC
ORANGE / Model # SZ-20NC

Rotating hunting knife with drop-point and full-size gutting blade to cut beneath the skin without cutting hair or internal organs. Rubberized TPR handle ensures a nonslip grip. Includes nylon belt sheath.

DROP-POINT OPEN



GUTTING BLADE OPEN

SPECS

Skinning Blade: 3.6 in / 9.0 cm
Gutting Blade: 3.2 in / 8.1 cm
Overall: 8.3 in / 21.1 cm
Weight: 7.2 oz / 205 g
Steel: AUS-8 stainless
Rockwell-C Hardness: 57-58

ZIPPRO™

Model # ZO-10C

Lightweight folding gutting knife with G-10 and black-oxide coated 420J2, construction. The sturdy frame lock design provides a low drag profile. The stainless steel pocket clip and thumb stud allow easy access and one-hand opening.

SPECS

Blade: 3.5 in / 9.0 cm
Overall: 8.0 in / 20.5 cm
Steel: 7Cr17 stainless
Handle: Orange G-10 and black-oxide coated 420J2
Weight: 3.1 oz / 90 g

ZIPBLADE™

Model # ZP-10C

Full-sized fixed blade gutting blade that cuts under the skin to open game like a zipper while avoiding cutting hair or internal organs. Full tang construction and rubberized TRP handle provides superior performance. Includes nylon sheath.

SPECS

Blade: 4.0 in / 10.0 cm
Overall: 8.8 in / 22.5 cm
Steel: 420J2 stainless
Weight: 5.1 oz / 145 g

WILD SERIES



WILD SERIES

WILDKPAK™

Model # WP-2

A seven-piece game processing set featuring a caping knife, gut-hook skinner, boning knife, wood/bone saw, ribcage spreader, carbide/ceramic sharpener, and game cleaning gloves. All knives are full tang construction with nonslip rubberized TPR handles and store in a hard-sided case.

SPECS

Caping Blade: 2.5 in / 6.4 cm
Overall: 8.3 in / 21.0 cm

Skinner Blade: 4.0 in / 10.2 cm
Overall: 8.5 in / 21.6 cm

Boning Blade: 5.0 in / 12.7 cm
Overall: 9.5 in / 24.1 cm

Saw Blade: 6.0 in / 15.2 cm
Overall: 9.3 in / 23.6 cm

Weight: 2.4 lbs / 1.1 kg



WILDLITE™

Model # WL-6

A compact game processing set featuring a caping knife, gut-hook skinner, boning knife, two stage sharpener, and game cleaning gloves. All knives are full tang construction with nonslip construction with nonslip rubberized TPR handles and store in a hard-sided case.

SPECS

Caping Blade: 2.5 in / 6.4 cm
Overall: 8.3 in / 21.0 cm

Skinner Blade: 4.0 in / 10.2 cm
Overall: 8.5 in / 21.6 cm

Boning Blade: 5.0 in / 12.7 cm
Overall: 9.5 in / 24.1 cm

Weight: 1.2 lbs / 544 g



WILDGUIDE™

Model # WG-10C

The perfect hunting combo to break down big game with a caping knife, gut-hook skinner, and T-handle wood/bone saw complete with a Kryptek® nylon belt sheath.

Weight: 11.4 oz / 323 g



WILD SERIES

WILDBONE™

Model # WB-4C

Gut-hook skinner, boning knife, and two-stage sharpener. Kryptek® nylon belt sheath features a snap-in knife scabbard for easy removal and cleaning.

Weight: 9.6 oz / 272 g



WILDSKIN™

Model # WS-10C

Deep-bellied, gut-hook skinner with Kryptek® nylon belt sheath.

Weight: 4.5 oz / 125 g



WILDPAIR™

Model # WR-1C

Lightweight gut-hook skinner and caper hunters combo with Kryptek® nylon belt sheath.

Weight: 8.3 oz / 235 g



WILDGAME™ BONING KNIFE

Model # WGB-50C

5.0" stiff boning/fillet knife suited for processing game and use in the kitchen. Does not include a sheath.

Weight: 2.6 oz / 74 g



WILD SERIES SPECS



Caping Blade: 2.5 in / 6.4 cm
Overall: 8.3 in / 21.0 cm



Skinner Blade: 4.0 in / 10.2 cm
Overall: 8.5 in / 21.6 cm



Boning Blade: 5.0 in / 12.7 cm
Overall: 9.5 in / 24.1 cm



Saw Blade: 4.9 in / 12.4 cm
Overall: 8.0 / 20.3

Every knife in the Wild Series features full tang construction, nonslip TPR handles, and 420J2 stainless steel.

WILDGAME™ STEAK KNIVES

ORANGE / Model # STB-4C

BLACK / Model # STK-4C

Taper ground 420J2 stainless blades are finished with an amazing micro-serration that cuts through steak like a razor and never needs sharpening. Polypropylene handles are ergonomically shaped with an elk horn inlay.



Blade: 4.0 in / 10.2 cm

Overall: 8.5 in / 21.6 cm

Individual Weight: 4.5 oz / 125 g

4 PER SET

CARRY & UTILITY

CARRY

FIELDLITE™

Model # FLK-33C

Lockback carry knife featuring a black-oxide coated blade and durable glass/nylon handle with rubberized TPR insert to ensure a secure grip. The stainless steel pocket clip provides comfortable tip up carry.



SPECS

Blade: 3.3 in / 8.4 cm
Overall: 7.5 in / 19.0 cm
Steel: 8Cr13MoV
Handle: Glass/nylon polymer with TPR inserts
Weight: 2.6 oz / 74 g

TRAILBLAZE™

2.5" BLADE / Model # TB-25C

3.3" BLADE / Model # TB-33C

This classic drop-point blade is great in the field or on the job site. The durable orange glass/nylon polymer handle with rubberized TPR inserts ensures a secure nonslip grip. Dual thumb studs allow easy one-hand opening and features a stainless steel pocket clip for sheath-free carry.



SPECS

Blade: 2.5 or 3.3 in / 6.4 or 8.4 cm
Overall: 5.75 or 7.5 in / 14.6 or 19.0 cm
Steel: 8Cr13MoV
Handle: Glass/nylon polymer with TPR inserts
Weight: 1.2 or 2.6 oz / 34 or 74 g

CHASM™

2.5" BROWN / Model # CHC-25C

2.5" GRAY / Model # CHY-25C (Box NA)

2.5" PURPLE / Model # CHP-25C (Box NA)

3.3" COYOTE BROWN / Model # CHC-33C

Lockback folding knives with non-reflective Blackstone™ finished 8Cr13MoV blade. Durable glass/nylon handles with rubberized TPR inserts ensure a secure nonslip grip. Complete with dual thumb studs for easy one-hand opening and pocket clip for sheath-free carry.



SPECS

Blade: 2.5 or 3.3 in / 6.4 or 8.4 cm
Overall: 7.3 or 7.7 in / 18.5 or 19.4 cm
Weight: 1.2 or 2.4 oz / 34 or 68 g



PURPLE



COYOTE BROWN

CARRY

PIVOT™

DROP-POINT / Model # PKDP-1C
WHARNCLIFFE / Model # PKWC-2C

Versatile fixed blade knife platform with innovative rotating sheath system. Blades are finished in a durable non-reflective BlackStone™ coating. The polymer sheath features a quick-release locking latch and removable 360-degree rotating clip to attach to a belt or MOLLE system. Available in drop-point and wharncliffe blade profiles.

SPECS

Wharncliffe Blade: 2.6 in
 Wharncliffe Overall: 6.8 in
 Drop-Point Blade: 2.5 in
 Drop-Point Overall: 6.5 in
 Steel: 8Cr13Mov stainless with Blackstone™ coating
 Rockwell-C Hardness: 57
 Handle: Full tang with rubberized TPR
 Sheath: Polypropylene
 Lanyard: Black 550 paracord
 Weight: 3.2 oz

SPECS

Rockwell-C Hardness: 57-58
 Blade: 1.5 in / 3.8 cm
 Steel: **8Cr13MoV** stainless
 Handle: Paracord



PARACLAW™

BUCKLE ONLY
BLACK / Model # PCK-BKL

SMALL (Wrist size: 5.75-6.5 in)
PURPLE & BLACK / Model # PCP-75C

MEDIUM (Wrist Size: 6.25-7.0 in)
BLACK / Model # PCK-80C
WOODLAND CAMO / Model # PCC-80C

LARGE (Wrist Size: 7.0+ in)
BLACK / Model # PCK-90C

Concealed knife bracelet with an 8Cr13MoV stainless hawkbill blade with non-reflective Blackstone™ finish. Handle grooves and jimping on the thumb ramp ensure a positive grip. The patented sheath system locks the knife securely and allows the blade to be drawn quickly and easily. Upon deployment, the paracord bracelet forms the knife handle. Each bracelet is hand-tied from 550 Nylon paracord with an adjustable loop to fine tune the fit, plus a steel T-post for safe and easy attachment.

UTILITY

UTILIPRO™

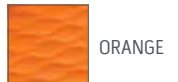
BLACK Model # UPK-20C
ORANGE Model # UPB-10C

5-in-1 folding utility knife features thumb actuated blade release for safe and fast blade changes. The UtiliPro has an integrated Phillips and flathead screwdriver/pry bar, bottle opener, and a line cutter when closed. This folding utility knife is built on a 420J2 stainless steel frame with scaled glass-nylon handle for a safe and comfortable grip. Accepts all standard utility razor blades.



SPECS

Blade: 1.0 in / 2.5 cm
 Overall: 5.3 in / 13.5 cm
 Weight: 3.1 oz / 87.9 g
 1. BOTTLE OPENER
 2. FLATHEAD/PRYBAR
 3. PHILLIPS SCREW DRIVER
 4. POCKET CLIP
 5. LINE CUTTER



B.O.A.™

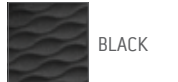
Box Opening Assistant
ORANGE / Model # BOB-10C
BLACK / Model # BOK-20C

This folding utility knife is constructed of 420J2 stainless steel with a sure-grip textured glass/nylon polymer handle with pocket clip. Change blades safely and quickly with the thumb-actuated blade release button. Accepts all standard utility razor blades.



SPECS

Blade: 1.0 in / 2.5 cm
 Overall: 5.75 in / 14.1 cm
 Weight: 2.7 oz / 76.5 g



SLIDEWINDER™

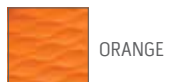
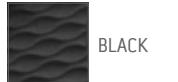
BLUE / Model # SWU-20C
BLACK / Model # SWK-30C
ORANGE / Model # SWB-10C

This nimble little multi-tool accepts standard utility razor blades and sports handy flathead and Phillips screwdrivers, pocket clip, and bottle opener. The slide opening blade locks securely and springs back into the handle automatically with the push of a button. The blade is housed in a glass/nylon and stainless steel frame making it a great addition to any toolbox, keychain, glove box, pants pocket, kitchen drawer, and more.



SPECS

Blade: .75 in / 2.0 cm
 Overall: 3.5 in / 9.0 cm
 Weight: 1.5 oz / 42.5 g
 1. BOTTLE OPENER
 2. FLATHEAD/PRYBAR
 3. PHILLIPS SCREW DRIVER
 4. POCKET CLIP



CHOWPAL™

Model # CPL-10C

This all-in-one utensil set/multi-tool includes a can opener, bottle opener, flat head screwdriver, and wrench with a nested fork and folding knife/spoon that lock together but quickly and easily slide apart when you're ready to chow down. The knife/spoon utensil features a locking, single-bevel knife blade that folds flat against the spoon and the fork features a graduated English/metric wrench. Includes a nylon storage pouch.

SPECS

Steel: 420J2 stainless
 Overall Length: 6.5" / 16.5 cm
 Blade Length: 2.5" / 6.4 cm
 Weight: 2.4 oz / 68 g

ASSEMBLED FOR STORAGE

OPENED FOR USE



CHOWLITE™

Model # CWL-20C

This lightweight stainless steel eating utensil features a full-size fork and spoon with a serrated food separator, integrated bottle opener, can opener, and flathead screwdriver.

SPECS

Steel: 420J2 Stainless
 Lock: Frame Lock
 Closed: 4.5 in / 11.4 cm
 Open: 7.75 in / 19.7 cm
 Weight: 1.6 oz / 45 g

CLOSED

OPEN



OUTDOORS & FISHING

FLIP N' ZIP SAW™

Model # FW-45C

SPECS

Blade: 4.4 in / 11.2 cm
 Overall: 9.4 in / 23.8 cm
 Steel: 65Mn with chrome coat
 Handle: 6061-T6 aircraft aluminum with nonslip rubberized coating
 Weight: 2.5 oz / 70 g



GRIZSAW™

Model # GW-2C

T-shaped handle allows straight wrist cutting from any angle for a secure grip. Triple-ground saw teeth rip through wood or bone. Comes complete with a quick release glass/nylon sheath with swivel clip attachment.



PARASPARK™

BUCKLE ONLY / Model # PSK-BKL
MEDIUM / Model # PSK-80C
LARGE / Model # PSK-90C

This all-in-one survival bracelet features a razor-sharp 1.3" sheepsfoot blade plus a liquid-filled compass. The buckle houses a 110-decibel whistle for signaling plus a fire-starting ferro rod. The bracelet is hand tied from 14.4 feet (medium) to 17 feet (large) of special reflective black nylon paracord, with a seven-strand nylon core, plus wax coated fire cord and 10lb monofilament fishing line.



- 1. SIGNALING WHISTLE
- 2. SHEEPSFOOT BLADE
- 3. FISHING LINE
- 4. FERRO ROD
- 5. FIRE CORD
- 6. COMPASS

FLIP N' SAW

Model # FW-70C

SPECS

Blade: 7.0 in / 17.7 cm
 Overall: 15.0 in / 38.0 cm
 Weight: 5.3 oz / 150 g
 Handle: 6101-T6 aircraft aluminum
 Steel: Chrome coated 65Mn

SPECS

Blade: 8.0 in / 20.3 cm
 Overall: 11.3 in / 28.6 cm
 Steel: 65Mn with chrome coat
 Handle: Rubberized TPR
 Weight: 5.4 oz / 155 g

SPECS

Blade: 1.3 in / 3.2 cm
 Steel: 8Cr13MoV stainless
 Weight: 1.8 oz / 51 g
 Handle: Nylon Paracord
 Whistle: 110 decibels
 Buckle: Glass nylon polymer, whistle, and ferrocium rod



NEW / 7.5" REELFLEX

Model # RF-75C

Same 7.5" knife from the ReelFlex Pak. With no-rot polypropylene sheath.

SPECS

Blade Steel: 4116 German stainless
 Handle: Rubberized TPR with polypropylene core
 Sheath: No-rot polypropylene
 Blade Length: 7.5 in / 19.0 cm
 Overall length: 13.0 in / 33.0 cm
 Weight: 4.4 oz / 124.7 g



REELFLEX PAK

Model # RFP-6

Professional grade fillet knives crafted from high-quality German 4116 stainless steel for excellent edge retention and corrosion resistance. Ergonomically shaped rubberized TPR handles provide a comfortable, nonslip grip. All knives store in a hard-sided carry case with two stage knife sharpener.

SPECS

Length 17.0 in / 44.5 cm
 Width 7.5 in / 19.0 cm
 Height 1.5 in / 3.8 cm
 Weight: 1.75 lbs / 0.8 kg



FISH N' BONE

Model # FB-1C

Flexible folding boning/fillet knife with double molded glass/nylon handle features rubberized TPR inserts for a secure, nonslip grip and stainless steel pocket clip. The 440A stainless steel blade is double-tempered for added flex and superior edge retention. Includes nylon sheath.



Also available with orange handle Model # FBB-2C

SPECS

Blade: 5.0 in / 12.7 cm
 Overall: 11.3 in / 28.9 cm
 Steel: 440A stainless
 Handle: Glass/nylon with rubberized TPR inserts
 Weight: 3.5 oz / 100 g



EDGE-X™ PRO

Model # EXP-200C

The Edge-X Pro is a compact three-stage pull through knife sharpener with fold out diamond rod, perfect for touching up serrations. The fold out X-base features nonslip pads, providing a secure base for all sharpening applications.

EDGE-X™

Model # SX-100C

Two-stage sharpener with coarse carbide for reshaping the blade and fine ceramic rods for finishing. Innovative X-base pivots open for stability and folds down flat for storage.



TUNGSTEN CARBIDE SHARPENER

Model # TC-100C

Reshapes a razor-sharp edge in seconds. Simply draw the sharpener over the blade 3-4 times and you are ready to go.



HOLSTERS

4.5-4.8 in / Model # FS-45
5.0-5.3 in / Model # FS-50

INCLUDED EDUCATIONAL SIGNAGE



Inform customers about our patented RazorSafe® System, ease of use, and upgraded numerical blade matching system, making it easier than ever to find the right blade for your knife.



Details about the new feature-rich Razor VX® line.

BASECAMP SUMMIT

W 6' X H 4'
Model # 24PS-BC

PLANOGRAM INCLUDES:

- 50 SKUS, 378 UNITS
- (1) 48" X 12.62" HEADER WITH HARDWARE
- (2) 12" X 12.62" HEADERS WITH HARDWARE
- (5) 48" X 12" AISLE VIOLATORS WITH HARDWARE
- (5) 9" X 2.25" BLADE INDICATORS SIGNS WITH HARDWARE
- FULL SET OF REORDER CARDS
- RETAILER TO SUPPLY:**
- FIXTURE
- 63 PEG HOOKS

W 12' X H 4'
Model # 24PS-S (Shown)

PLANOGRAM INCLUDES:

- 93 SKUS, 632 UNITS
- (1) 48" X 12.62" HEADER WITH HARDWARE
- (1) 36" X 12.62" HEADER WITH HARDWARE
- (2) 12" X 12.62" HEADERS WITH HARDWARE
- (6) 48" X 12" AISLE VIOLATORS WITH HARDWARE
- (6) 9" X 2.25" BLADE INDICATORS SIGNS WITH HARDWARE
- FULL SET OF REORDER CARDS
- RETAILER TO SUPPLY:**
- FIXTURE
- 100 PEG HOOKS
- SHELVING FOR 3 SKUS



RAZOR HUNTING

W 3' X H 4'
Model # 24PS-RH

PLANOGRAM INCLUDES:

- 20 SKUS, 121 UNITS
- (1) 36" X 12.62" HEADER WITH HARDWARE
- (2) 48" X 12" AISLE VIOLATORS WITH HARDWARE
- (2) 9" X 2.25" BLADE INDICATORS SIGNS WITH HARDWARE

FULL SET OF REORDER CARDS

RETAILER TO SUPPLY:

- FIXTURE
- 21 PEG HOOKS



RAZOR

W 4' X H 4'
Model # 24PS-RS

PLANOGRAM INCLUDES:

- 34 SKUS, 252 UNITS
- (1) 36" X 12.62" HEADER WITH HARDWARE
- (2) 48" X 12" AISLE VIOLATORS WITH HARDWARE
- (5) 9" X 2.25" BLADE INDICATORS SIGNS WITH HARDWARE

FULL SET OF REORDER CARDS

RETAILER TO SUPPLY:

- FIXTURE
- 40 PEG HOOKS



HUNTING & OUTDOORS

W 4' X H 4'
Model # 24PS-HO

PLANOGRAM INCLUDES:

- 25 SKUS, 157 UNITS
- (1) 36" X 12.62" HEADER WITH HARDWARE
- (2) 48" X 12" AISLE VIOLATORS WITH HARDWARE
- (2) 9" X 2.25" BLADE INDICATORS SIGNS WITH HARDWARE

RETAILER TO SUPPLY:

- FIXTURE
- 22 PEG HOOKS
- SHELVING FOR 3 SKUS



UTILITY

W 1.5' X H 4'
Model # 24PS-U

PLANOGRAM INCLUDES:

- 16 SKUS, 105 UNITS
- (1) 12" X 12.62" HEADERS WITH HARDWARE
- (2) 48" X 12" AISLE VIOLATORS WITH HARDWARE
- (2) 9" X 2.25" BLADE INDICATORS SIGNS WITH HARDWARE

RETAILER TO SUPPLY:

- FIXTURE
- 18 PEG HOOKS



NEW/ PROSHOP ASSORTMENTS

RAZOR VX™ ENDCAP

W 3' X H 4'
Model # RVX-EC (Left)

PLANOGRAM INCLUDES:

- 13 SKUS, 240 UNITS
- (1) 36" X 16" HEADER WITH HARDWARE
- (2) 48" X 14" SIDEWINGS WITH HARDWARE
- (2) 9" X 2.25" BLADE INDICATORS SIGNS WITH HARDWARE

RETAILER TO SUPPLY:

- FIXTURE
- 28 PEG HOOKS



RAZOR VX™ INLINE

W 2' X H 4'
Model # 24PS-RVX (Right)

PLANOGRAM INCLUDES:

- 15 SKUS, 102 UNITS
- (1) 12" X 12.62" HEADERS WITH HARDWARE
- (2) 48" X 12" AISLE VIOLATORS WITH HARDWARE
- (2) 9" X 2.25" BLADE INDICATORS SIGNS WITH HARDWARE

FULL SET OF REORDER CARDS

RETAILER TO SUPPLY:

- FIXTURE
- 16 PEG HOOKS



COUNTERTOP DISPLAYS



UTILIPRO™

Model# UPD-12

- 6 Orange
- 6 Black
- Graphics showcase the top features of the UtiliPro
- Sturdy corrugated cardboard construction



RAZOREDCLITE™ 3.5" AND RAZORONYX™ 3.5"

Model# RLD-9 and #OXD-9

- 9 RazorEDC Lite 3.5" or RazorOnyx 3.5" knives
- Plus 4 RR-6 replacement blade packs
- Graphics showcase top features of the RazorSafe Series
- Sturdy corrugated cardboard construction

SLIDEWINDER™

Model# SWD-18

- Fishbowl display
- 6 Black
- 6 Orange
- 6 Blue



EDGE-X™

Model# SXD-18

- Holds 18 Edge-X Sharpeners
- Two-stage sharpener coarse carbide/fine ceramic
- Sturdy corrugated cardboard construction



3.5" CHASM™

Model# C33D-18

- 6 Gray
- 6 Brown
- 6 TrailBlaze
- Graphics showcase top features of the Chasm series
- Sturdy corrugated cardboard construction



CHOWPAL™

Model# CPD-12

- 12 ChowPal Mealtime Multitools
- Sturdy corrugated cardboard construction

FREE STANDING DISPLAYS

PEGBOARD DISPLAY

- Display measures 36"W x 60"H x 18"D
- Compact footprint with top-selling assortments and opportunities for customized preset assortments
- Flexible placement: stand-alone, endcap, against a wall, or multiples grouped to create a larger footprint.



NEW

FREE STANDING DISPLAYS

- Sturdy corrugated cardboard construction
- Display included free of charge with the purchase of one of four set assortments or Razor VX™ set
- Lightweight for placement flexibility and strategic merchandising
- For customized assortments please contact your sales representative
- All items available individually for easy fill-in
- Small footprint saves valuable floor space
- Removeable top portion can be used as hanging sidekick



NEW RAZOR VX™

ADVANCED
CARRY

NEVER SHARPEN
YOUR KNIFE AGAIN